

Technical features

Digital clock

Style 7

Description :

- ▶ Led clock for indoor installation.
- ▶ Hour - minute display.
- ▶ Fixed or alternate time with date or week number display.
- ▶ Height of digit 7 cm, readability 30 metres.
- ▶ Diode colours : red, green, yellow, blue.
- ▶ Models : independent radio synchronised / 24V minute impulse receiver and IRIG-B/AFNOR coded time receiver, or wireless DHF.



Technical features:

- ▶ Injected ABS case black (IP30) with diffusing filter.
- ▶ Adjustable brightness (4 levels).
- ▶ Angle of vision 120°.
- ▶ Adjustable antenna on radio synchronised model.
- ▶ 12 or 24 hour display mode.
- ▶ Automatic summer/winter time changeover and perpetual calendar.
- ▶ Data saving for 7 days.
- ▶ Accuracy of the time quartz base : 0,2 second/day.
- ▶ Silent operation.
- ▶ Programming and time setting through 2 buttons.
- ▶ Digit made of 7 segments with 4 Led each.
- ▶ Power supply 230V ±10%, 50/60 Hz.
- ▶ Consumption: 65 mA.
- ▶ Operating temperature: from -5 to 50°C.
- ▶ Weight: 1,1 Kg.

Norms:

- ▶ Norm NF EN50081-1 : generic emission standard.
- ▶ Norm NF EN50082-1 : generic immunity standard.
- ▶ Norm NF EN60950 : safety of information technology equipment.

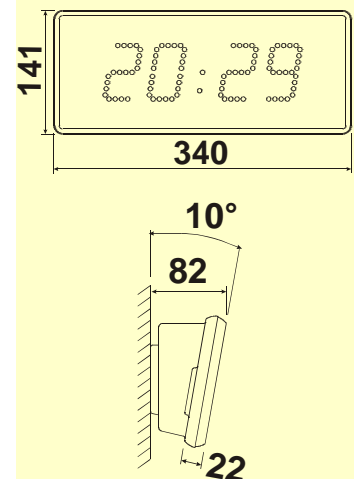
Mounting Accessories:

- | | |
|---|----------|
| ▶ Double sided bracket | 936 300 |
| ▶ Single sided bracket | 936 301 |
| ▶ Table holder | 936 303 |
| ▶ Wall plate support for style 7 recessed mounting | 936 305B |
| ▶ Waterproof wall support for Style recessed mounting | 936 305 |
| ▶ Black waterproof box | 936 307 |

Led colours



Dimensions in mm



Style 7 references:

- | | |
|--|---------|
| ▶ Independent radio synchronised / 24V minute impulse receiver | 936 611 |
| ▶ IRIG-B/AFNOR coded time receiver | 936 621 |
| ▶ Wireless DHF coded time receiver | 936 671 |

Indicate Led colour by choosing the last number of the reference: red (1), green (2), yellow (3), blue (4).

