

DESCRIPTION

- SMD LED technology for indoor installation.
- Hours and minutes display.
- Fixed or alternate time with date or week number display.
- Height of digits 5 cm, optimal viewing distance: 20 metres.
- Angle of vision 120°.
- LED colours: red, green, yellow, blue and white.
- Models: independent, impulse, wireless DCF, wireless DHF, AFNOR and NTP.



STANDARDS

- EMC: - EN55032.
- EN55024.
- LVD: EN60950.
- R&TTE (radio models): EN301-489-3.

GENERAL FEATURES

- **Adjustable brightness**..... 4 levels.
- **Display mode**..... 12 or 24 hour.
- **Eco mode**..... Programmable energy saving or predefined over a time period.
- **Time change**..... Automatic summer/winter time changeover and perpetual calendar.
- **Time base backup**.....
 - Independent model: 15 days in case of power failure.
 - Impulse model: in case of power failure, data saving and impulses reception without battery.
 - Synchronised models: at each start the clocks wait for the synchronisation signal.
- **Time accuracy**..... 0.2 second/day (except NTP model: precision dependent on the time server).
- **Operation**..... Silent.
- **Digit**..... 7 segments with 3 LEDs each.
- **Hours and minutes separating**..... Colon made of LEDs.
- **Configuration**..... 2 capacitive buttons.
- **NTP model**.....
 - Synchronisation unicast, multicast and by DHCP.
 - Advanced configuration from the embedded web server.

See the product page
 >> www.bodet-time.com <<

MECHANICAL FEATURES

- **Construction**..... PC/ABS black (IP30, IK02) and PPMA Poly (methyl methacrylate) cristal.
- **Operating temperature range**..... -5 to +55°C.
- **Weight**..... 0.25 Kg.
- **Dimensions**..... 243 x 106 x 56 mm (see on the back).

ELECTRICAL FEATURES

- **Power supply**.....
 - Independent, impulse, AFNOR and wireless DHF models: 100-240VAC.
 - Wireless DCF model: 230VAC.
 - NTP model: PoE (Power over Ethernet) – class 0.
- **Consumption max**..... 3 W.
- **Electric protection (except NTP model)**..... Class 2.

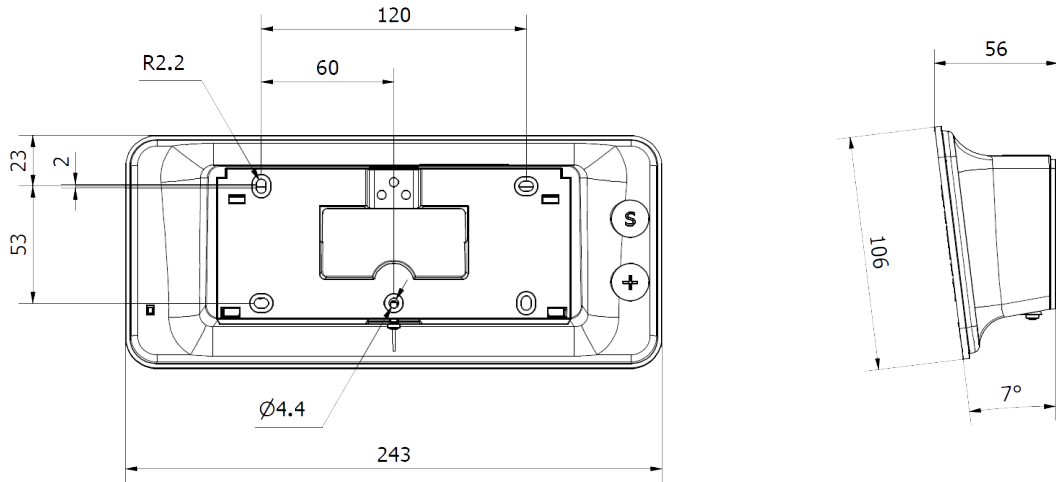
STYLE 5 REFERENCES (BY SYNCHRONISATION)

- | | | | |
|----------------|-------------------|----------------|-----------------------------|
| • 946 11x..... | Independent model | • 946 001..... | Mounting on hanging bracket |
| • 946 12x..... | Impulse model | • 946 002..... | Wall mounting |
| • 946 13x..... | DCF model | | |
| • 946 14x..... | DHF model | | |
| • 946 15x..... | AFNOR model | | |
| • 946 17x..... | NTP model | | |
- Specify the LED colour by replacing the "x" in the reference number by: 1: red - 2: green - 3: yellow - 4: blue - 5: white



WALL MOUNTING

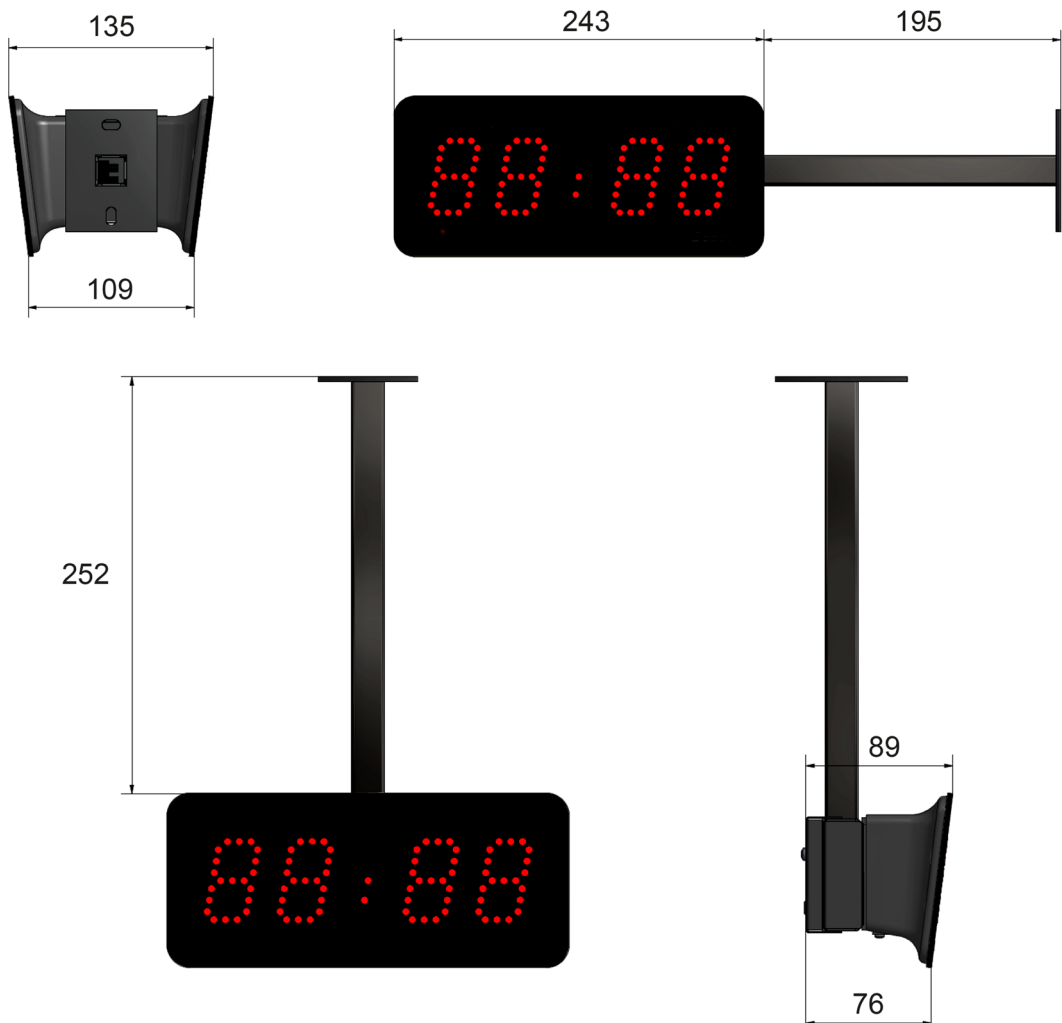
Dimensions in mm



MOUNTING ON HANGING BRACKET

- The hanging bracket makes it possible to hang the clock from the ceiling or from the wall.
- Construction: Steel.
- Colour: Black.

Dimensions in mm



DESCRIPTION

- Style 5 recess mounting digital clock having the same electronics and the same operation than the normal version. However the mechanics are different to allow for recess mounting in a wall.
- LED colours: red.
- Models: independent, impulse, AFNOR and NTP.

RECESSED VERSION



GENERAL FEATURES

- Same as Style 5 normal version (see page 1).

MECHANICAL FEATURES

- **Construction**..... Black steel (IP30, IK02) and PPMA Poly (methyl methacrylate) cristal.
- **Operating temperature range**..... 0 to +50°C.
- **Weight**..... 0.650 kg (NTP : 0.630 kg).
- **Dimensions**..... See next page.

ELECTRICAL FEATURES

- Same as Style 5 normal version (see page 1).

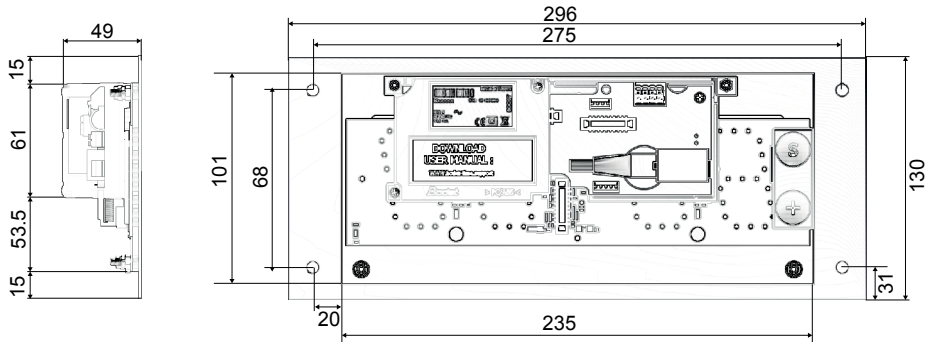
REFERENCES STYLE RECESSED 5 (BY SYNCHRONISATION)

- **946 111 F**..... Independent model
- **946 121 F**..... Impulse model
- **946 151 F**..... AFNOR model
- **946 171 F**..... NTP model
- **946 011**..... Back cover for recess mounting

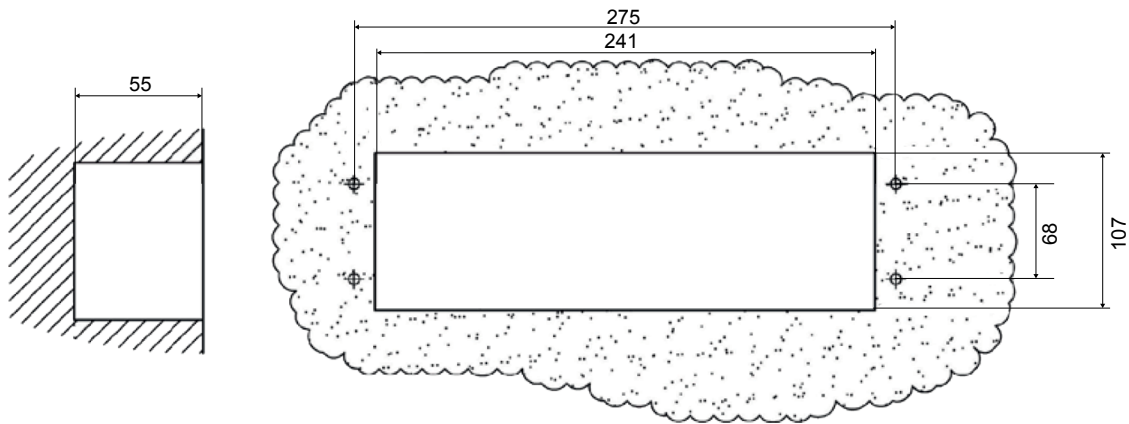
DIMENSIONS

Dimensions in mm

Clock



Size



Recess mounting

