

Technical features

Digital clock

Opalys 7

Description :

- ▶ Indoor clock with backlit liquid crystal display (LCD).
- ▶ Hour display fixed or alternated with date or week number.
- ▶ Extra flat casing.
- ▶ Readability 25 metres, angle of vision 160°.
- ▶ External power supply 230V.
- ▶ Casing colour: aluminium.
- ▶ Versions : independent quartz, radio synchronized (FI or DCF), DHF receiver, impulse slave movement or IRIG B/AFNOR coded time receiver.



Technical features :

- ▶ 12 or 24 hour display mode.
- ▶ Automatic summer/winter time changeover and perpetual calendar with multi-time zones.
- ▶ Permanent data saving.
- ▶ Accuracy of the time quartz base : 0,2 second/day.
- ▶ Absolute time accuracy with optional radio synchronisation.
- ▶ ABS casing, IP40 IK02.
- ▶ Silent operation.
- ▶ Programming and time setting through 2 buttons.
- ▶ Operating temperature : from 0 to 50°C.
- ▶ Humidity : up to 80% at 40°C.
- ▶ Weight : 0.7 Kg.

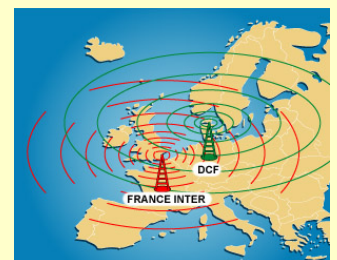
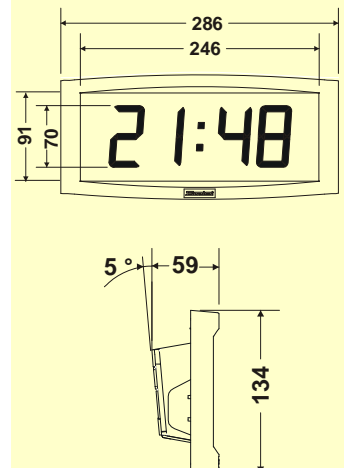
Norms :

- ▶ NF EN50081-1 : generic emission standard.
- ▶ NF EN50082-1 : generic immunity standard.
- ▶ NF EN60950 : safety of information technology equipment.

Accessories :

- | | |
|---|---------|
| ▶ Wall support (supplied) | 202 266 |
| ▶ Table support | 938 902 |
| ▶ Double sided bracket for wall or ceiling mounting | 938 901 |
| ▶ Double sided bracket for wall or ceiling mounting (long length) | 938 905 |
| ▶ Single or double sided bracket specific length for wall or ceiling mounting | 938 908 |

Dimensions in mm



France Inter and DCF transmitter

Opalys 7 references

- | | |
|---|----------|
| ▶ Radio synchronised France Inter | 938 122A |
| ▶ Radio synchronised DCF | 938 124A |
| ▶ Slave movement on impulses or IRIG B/AFNOR receiver | 938 142A |
| ▶ DHF radio receiver | 938 133A |

