

Technical features

Digital clock

Style 12S

Description :

- ▶ Led clock for indoor or outdoor installation.
- ▶ Hour - minute - second display.
- ▶ Fixed time, fixed temperature or alternate time and temperature or timer hour - minute - second with the optional timer control unit (count up and down, split time, preselect).
- ▶ Height of digit 12 cm, readability 50 metres.
- ▶ Diode colours : red, yellow.
- ▶ Models : independent / 24V minute impulse receiver, IRIG-B/AFNOR coded time receiver, wireless DHF receiver or radio synchronised (FI or DCF signal).



Technical features :

- ▶ Injected ABS case black with diffusing filter for outdoor model.
- ▶ Adjustable brightness on 4 levels for indoor model and by automatic photo cell on outdoor model.
- ▶ Angle of vision 120°.
- ▶ Protection index IP51 for indoor model and IP53 for outdoor model.
- ▶ 24 hour display mode.
- ▶ Data saving for 3 days.
- ▶ Accuracy of the time quartz base : 0,2 second/day.
- ▶ Silent operation.
- ▶ Programming and time setting through 2 buttons.
- ▶ Digit made of 7 segments with 9 Led each for hour – minute and 7 segments with 7 Led each for second.
- ▶ Power supply 230V ±10%, 50/60 Hz.
- ▶ Consumption : 85 mA.
- ▶ Operating temperature : from 0 to 50°C for indoor model and from -40 to 70°C for outdoor model.
- ▶ Weight : 6,3 Kg.

Norms :

- ▶ Norm NF EN50081-1 : generic emission standard.
- ▶ Norm NF EN50082-1 : generic immunity standard.
- ▶ Norm NF EN60950 : safety of information technology equipment.
- ▶ Norm NF EN300-220-3: radio equipment standard.
- ▶ Norm NF EN301-489-3: EMC standard for radio equipment.

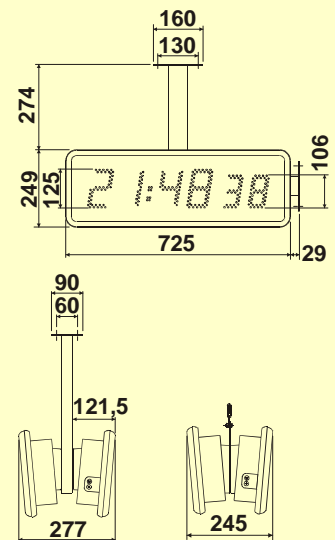
Mounting Accessories :

- | | |
|--|---------|
| ▶ Single or double sided bracket | 935 001 |
| ▶ Double sided chain bracket | 935 002 |
| ▶ Desktop support | 935 003 |
| ▶ Wiring kit for double sided | 935 012 |
| ▶ Temperature probe with 5 metres cable | 935 011 |
| ▶ Timer control unit for counting up or down | 936 400 |

Led colours



Dimensions in mm



Style 12S references

	Indoor	Outdoor
▶ Independent / impulse receiver	935 211	935 411
▶ IRIG-B/AFNOR coded time receiver	935 221	935 421
▶ Radio synchronised FI signal	935 251	935 451
▶ Radio synchronised DCF signal	935 261	935 461
▶ Wireless DHF receiver	935 271	935 471

Indicate Led colour by choosing the last number of the reference : red (1), yellow (3).

